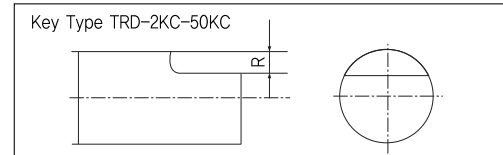
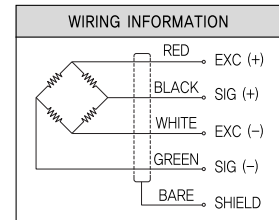
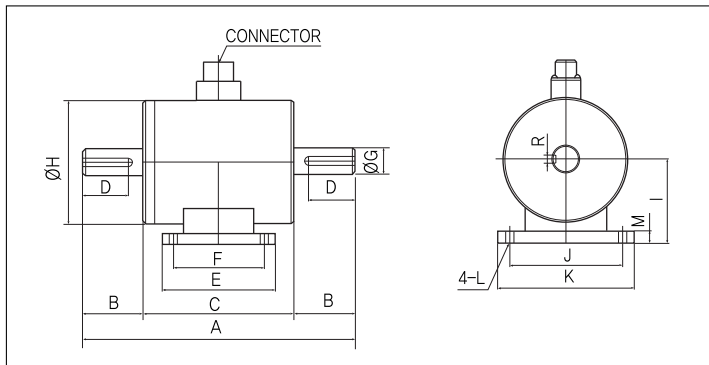
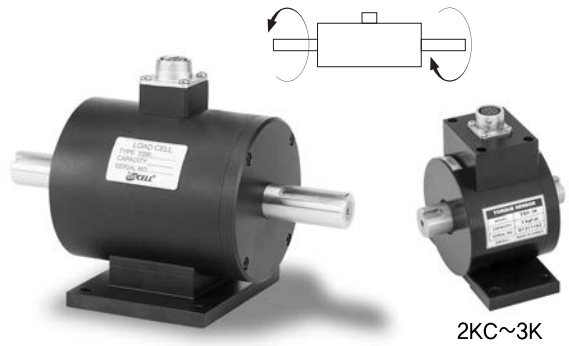


Shaft Type Torque Sensors

>Model TRD

Model TRD loadcell measure the torque of continuous rotating object. Platinum coated connector provides long term signal stability and high accuracy. These models are most appropriate for industrial measurement. Applications include the performance testers for automotive components such as clutches, transmissions, motors and pumps.



>SPECIFICATIONS

Specifications	Accuracy
Rated capacity(R.C.)	2~50kgf-cm, 1~2000kgf-m 0.196, 0.490, 0.981, 1.961, 2.942, 4.903, 9.807, 19.61, 29.42, 49.03, 98.07, 196.1, 490.3, 980.7 1.961, 4.903, 9.807, 19.61(kN-m)
Rated output(R.O.)	1.5mV/V±1%(2kgf-cm~5kgf-m:1mV/V)
Nonlinearity	0.3%R.O.
Hysteresis	0.3%R.O.
Repeatability	0.2%R.O.
Excitation recommended	10V
Terminal resistance	350Ω ±5%
Insulation resistance bridge	200MΩ
Temperature effect on rated output	0.2% Load/10°C
Temperature effect on zero balance	0.3% R.O./10°C
Safe overload	120% R.C.
Cable length	Ø7, 4core cable 3m

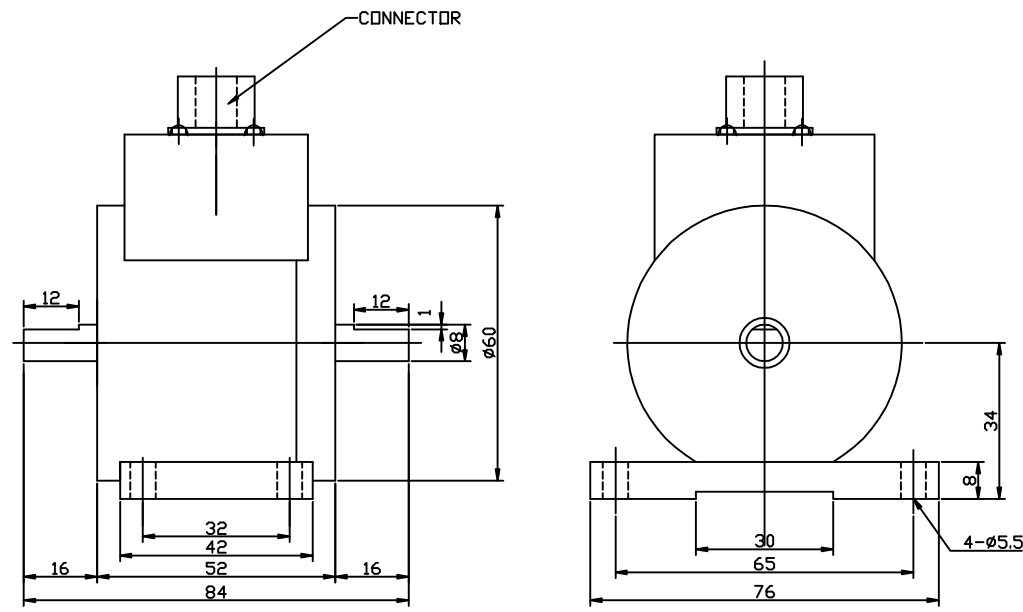
>DIMENSIONS TABLE

unit:mm

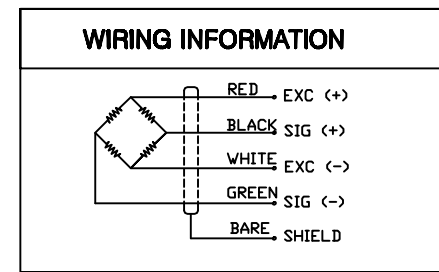
Model	Capacity	A	B	C	D	E	F	ØG	ØH	I	J	K	ØL	M	R	R.P.M
TRD-2KC	2kgf-cm (0.196N-m)	84	16	52	12	42	32	8	60	34	65	76	5.5	8	1	3000
TRD-5KC	5kgf-cm (0.490N-m)	84	16	52	12	42	32	8	60	34	65	76	5.5	8	1	3000
TRD-10KC	10kgf-cm (0.981N-m)	84	16	52	12	42	32	8	60	34	65	76	5.5	8	1	3000
TRD-20KC	20kgf-cm (1.961N-m)	84	16	52	12	42	32	8	60	34	65	76	5.5	8	1	3000
TRD-30KC	30kgf-cm (2.942N-m)	84	16	52	12	42	32	12	60	34	65	76	5.5	8	1.5	3000
TRD-50KC	50kgf-cm (4.903N-m)	84	16	52	12	42	32	12	60	34	65	76	5.5	8	1.5	3000
TRD-1K	1kgf-m (9.807N-m)	90	16	58	12	46	32	18	72	41	80	94	6.5	8.5	5×5	5000
TRD-2K	2kgf-m (19.61N-m)	90	16	58	12	46	32	18	72	41	80	94	6.5	8.5	5×5	5000
TRD-3K	3kgf-m (29.42N-m)	90	16	58	12	46	32	18	72	41	80	94	6.5	8.5	5×5	5000
TRD-5K	5kgf-m (49.03N-m)	180	42.5	95	35	64	50	18	80	46	80	100	7	12	5×5	5000
TRD-10K	10kgf-m (98.07N-m)	180	42.5	95	35	64	50	18	80	46	80	100	7	12	5×5	5000
TRD-20K	20kgf-m (196.1N-m)	220	55	110	45	100	84	32	100	63	98	115	7	12	10×8	4000
TRD-50K	50kgf-m (490.3N-m)	220	55	110	45	100	84	32	100	63	98	115	7	12	10×8	4000
TRD-100K	100kgf-m (980N-m)	280	80	120	69	120	98	47	100	66	124	148	8.5	15	12×8	4000
TRD-200K	200kgf-m (1.961kN-m)	280	80	120	69	120	98	47	100	66	124	148	8.5	15	12×8	4000
TRD-500K	500kgf-m (4.903kN-m)	390	130	130	100	126	100	90	172	101	154	180	11	20	25×14	2000
TRD-1000K	1000kgf-m (9.807kN-m)	390	130	130	100	126	100	90	172	101	154	180	11	20	25×14	2000
TRD-2000K	2000kgf-m (19.61kN-m)	440	150	140	120	148	110	115	210	130	190	228	13	23	32×18	2000

*Specifications are subject to change without notice.

NO	DATE	ZONE	REVISION	CO'T	SIGN
△					



SPECIFICATIONS	
Rated capacity(R.C)	2~20kgf-cm
Rated output(R.O)	1mV/V±1%
Nonlinearity	0.3%R.O
Hysteresis	0.2%R.O
Repeatability	0.3%R.O
Excitation recommended	10V DC
Terminal resistance	350Ω ±1%
Insulation resistance bridge	200MΩ
Temperature range, compensated	0.3%R.O/10℃
Temperature range, safe	0.2%Load/10℃
Safe overload	120%R.C
Cable length	∅7,4core cable3m

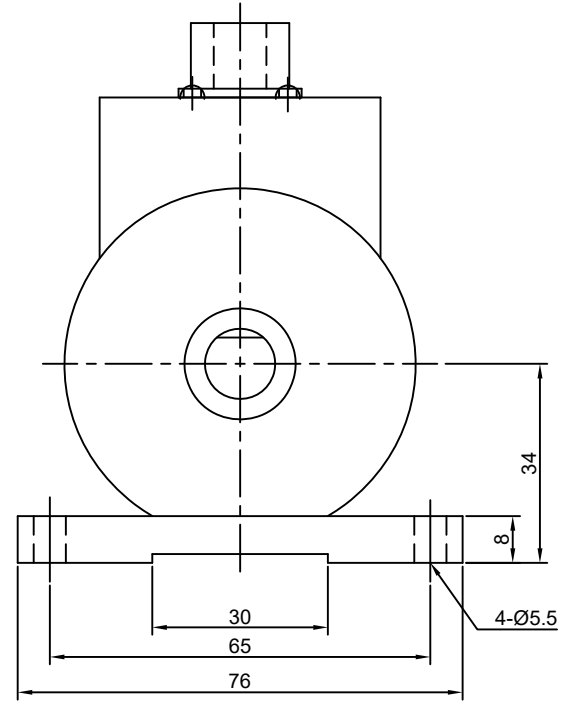
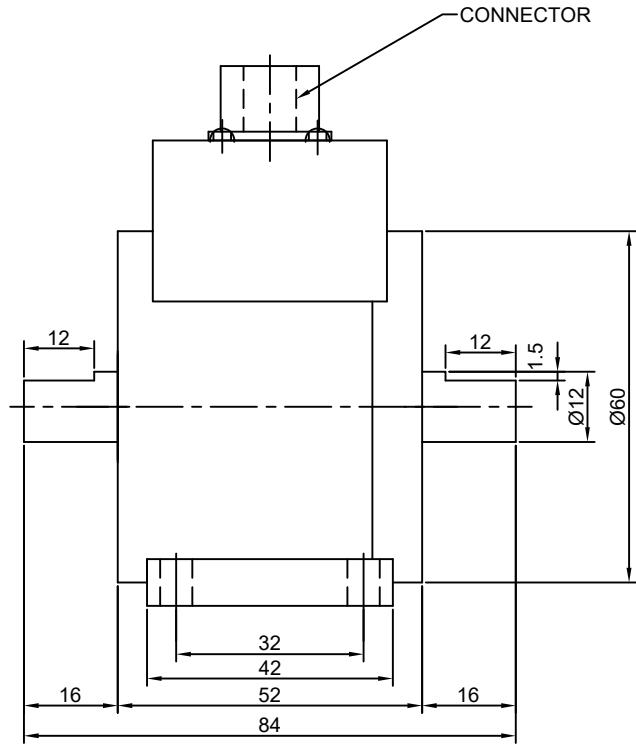


unit : mm
weight : kg

NO	DESCRIPTION	MATERIAL	HEART TREAT	Q'TY	DIMENSIONS	REMARK
1	TORQUE SENSOR					
CHAMFER <input type="checkbox"/> C 0.1 <input type="checkbox"/> C 0.3 <input checked="" type="checkbox"/> C 0.5 <input type="checkbox"/> C 1		SCALE 1 : 1	ANGLE 1st 3rd	DESCRIPTION TORQUE SENSOR		
TOLERANCE LIMITS <input checked="" type="checkbox"/> MM <input type="checkbox"/> INCH		DRAWN BY	PLANNED BY	CHECKED BY	APPROVED BY	MODEL TRD-2~20KC
0. ±0.1	0.0 ±0.04					ORDER.
0.0 ±0.05	0.00 ±0.02					ORDER DWG. NO
0.00 ±0.01	0.000 ±0.004					
0.000 ±0.002	0.0000 ±0.0002					
		TEL 043-260-2242	DWG NO TRD-00A-2KC-20KC		SHEET	
		www.dacell.co.kr				

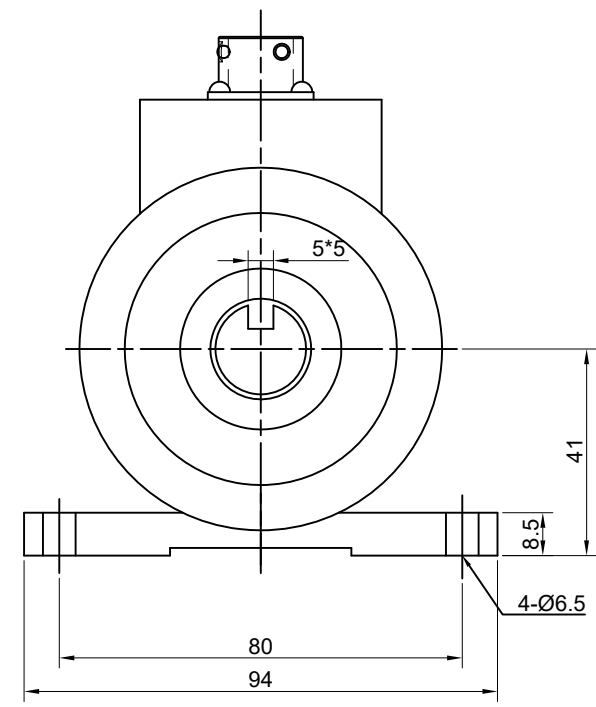
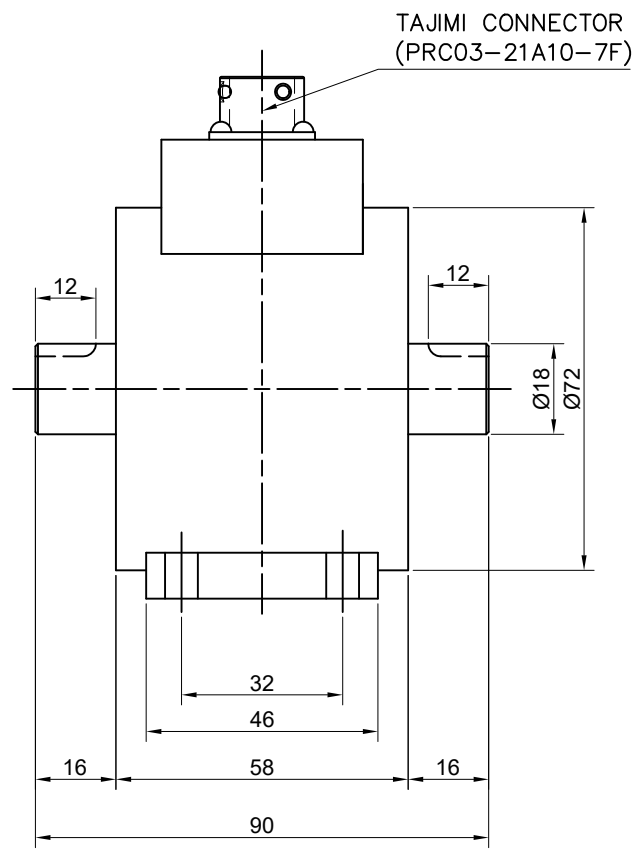
본 도면은 DA CELL의 사유 재산이므로 DA CELL의 허가 없이 유출 및 무단복제를 할수 없습니다.

NO	DATE	ZONE	REVISION	CO'T	SIGN
△					



NO	DESCRIPTION	MATERIAL	HEART TREAT	Q'TY	DIMENSIONS	REMARK
CHAMFER <input type="checkbox"/> C 0.1 <input type="checkbox"/> C 0.3 <input checked="" type="checkbox"/> C 0.5 <input type="checkbox"/> C 1		SCALE 1 : 1 ANGLE 1st 3rd		DESCRIPTION TORQUE SENSOR		
TOLERANCE LIMITS <input checked="" type="checkbox"/> MM <input type="checkbox"/> INCH		DRAWN BY PLANNED BY CHECKED BY APPROVED BY		MODEL TRD-30,50KC ORDER. ORDER DWG. NO		
0. ±0.1 0.0 ±0.04 0.0 ±0.05 0.00 ±0.02 0.00 ±0.01 0.000 ±0.004 0.000 ±0.002 0.0000 ±0.0002		DA CELL TEL. 043-260-2242 www.dacell.com		MAKER DWG. NO TRD-00A-30,50KC SHEET		

NO	DATE	ZONE	REVISION	CO'T	SIGN
△					



NO	DESCRIPTION	MATERIAL	HEART TREAT	Q'TY	DIMENSIONS	REMARK
				1		
CHAMFER <input type="checkbox"/> C 0.1 <input type="checkbox"/> C 0.3 <input type="checkbox"/> C 0.5 <input type="checkbox"/> C 1		SCALE 1 : 1	ANGLE 1st 3d	DESCRIPTION TORQUE SENSOR		
TOLERANCE LIMITS <input checked="" type="checkbox"/> MM <input type="checkbox"/> INCH		DRAWN BY	PLANNED BY	CHECKED BY	APPROVED BY	MODEL TRD-1K,2K,3K
0. ±0.1	0.0 ±0.04					ORDER. ORDER DWG. NO
0.0 ±0.05	0.00 ±0.02					MAKER DWG. NO
0.00 ±0.01	0.000 ±0.004					TRD-1A-1k,2k,3k
0.000 ±0.002	0.0000 ±0.0002					SHEET
				TEL 043-260-2242 www.dacell.com		